

注意 | 产品开机前, 请务必详读使用手册。  
实际产品的颜色可能会与产品名录上的颜色略有差异。  
本产品名录的内容可能会事先没有通知而更改。



**TOP PRIME**



**TOP PRIME**  
Product Catalog

**MX On Corporation**

总公司 ADDRESS: 11-35, Simin-daero 327beon-gil, Dongan-gu, Anyang-si, Gyeonggi-do 14055, Republic of Korea  
TEL: 82-31-465-3366  
FAX: 82-31-465-3355

V 1.0C 251225

[mxon.co.kr/chn](http://mxon.co.kr/chn)

MX On Corporation 基于 HMI/SCADA 的开发与制造，拥有扩展至机器人控制与物流自动化领域的技术能力，是一家基于 AX·DX 的智能工厂全方位解决方案平台企业。

***TOP PRIME***

## CONTENTS

<b>TOP PRIME</b> TOP 核心产品系列介绍	04P	<b>TOPR SERIES</b> Premium HMI	10P	<b>TOPRH SERIES</b> Handy wired/wireless HMI	24P
<b>Operation in Industrial Applications</b> TOP 主要特点	06P	<b>TOPRX SERIES</b> Standard HMI	16P	<b>全球业务网络与服务</b> 采购及技术咨询	32P
<b>TOP Design Studio</b> 软件简介	08P	<b>TOPRW SERIES</b> Wide HMI	20P		

## TOP PRIME LINE-UP



TOP R Ex

15 12 10

Premium 系列: 铝制模块化机身, 提供多媒体功能

Ex / Non-Ex Premium HMI



TOP Rx Ex

15 12 10 8 5

Standard 系列: 延续 XTOP 名声, 优化工业现场使用

Ex / Non-Ex Standard HMI



TOP RW

10 7 5 4

Wide 系列: 更大屏幕, 仅包含核心功能

Wide HMI



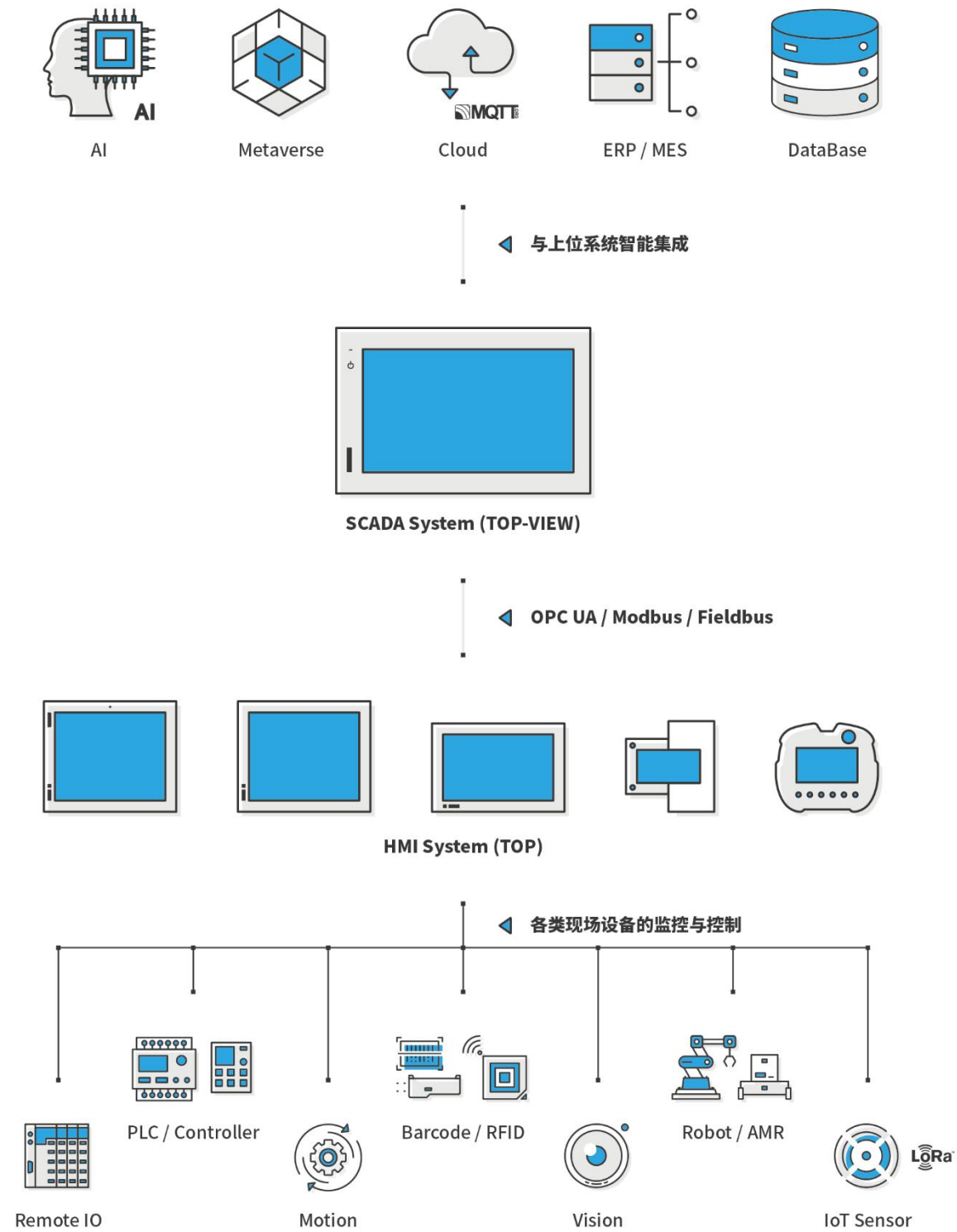
TOP RH WIRED WIRELESS

7

Handy 系列: 符合人体工学的时尚设计, 支持有线与无线操作

Handy Type HMI

## 工业现场 HMI 与 SCADA 操作



## KEY FEATURES

### 400+ Protocol

#### 全面支持 400 多种工业通信协议

支持多种工业通信协议, 实现设备与系统间稳定的数据交互, 并能在复杂的工业环境中灵活构建和运行系统。

### 21 CFR Part 11

#### 提供 21 CFR Part 11 安全功能

遵循美国 FDA 21 CFR Part 11 标准, 通过操作员认证、监控控制历史追踪、数据库管理及 PDF 管理, 实现安全高效的工作环境。

### OPC UA

#### 支持工业标准 OPC UA

通过前瞻性且高度可扩展的 OPC UA 协议, 实现数据的稳定采集与管理, 并可与上位系统顺畅集成。

### SECS / GEM

#### 支持 SECS / GEM 协议

支持半导体行业使用的 HSMS SECS / GEM 通信协议, 提供符合场景需求的稳定数据通信。

### VNC

#### 提供自主研发 VNC

借助高性能自主开发的 VNC, 可远程访问工业现场的 TOP 与 TOP-VIEW 屏幕, 并通过移动设备、平板或 PC 实现实时监控与控制。

### SMS & Email

#### SMS 与电子邮件发送

根据程序中存储的 SMS 和电子邮件, 自动发送以匹配现场情况, 上级操作员或客户可即时了解工厂状况。

## TOP Design Studio 软件

可用于创建和编辑 HMI 项目文件，  
可在 MX On 官方网站 (mxon.co.kr) 免费下载。

直观的用户界面, 操作简单

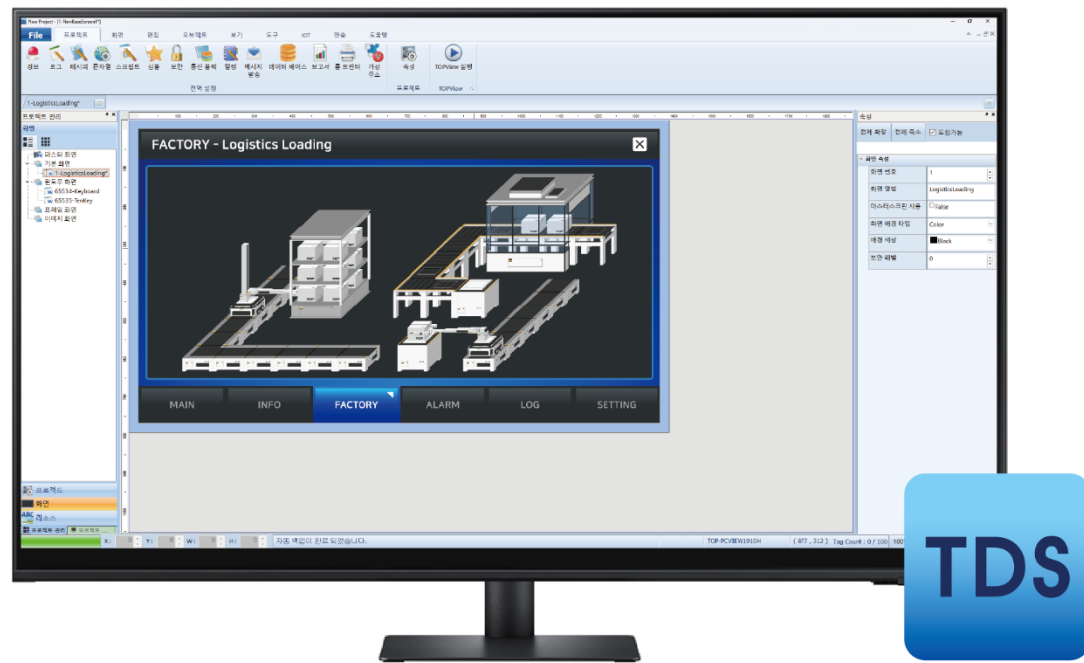
旧型号迁移支持 - 兼容 ATOP / XTOP 旧型号

出色动画效果 - 呈现生动流畅的动画

系统化用户培训 - 总部及大邱营业所提供支持

YouTube 培训内容 - 随时随地学习

KakaoTalk 技术咨询 - 现场即时获取技术支持



TOP Design Studio

## KEY FEATURES



### 功能实现通过“效果与动作”统一管理

无论对象的形状或类型如何, 都可通过“效果与动作”属性以相同方式实现功能。  
采用 [条件] - [效果] - [动作] 结构, 当条件满足时, 系统将执行预设的效果或动作。



### 提供离线 / 在线虚拟运行功能

离线虚拟运行:  
无需 TOP 与控制器,  
即可在 TDS 中直接对项目进行试运行。  
在线虚拟运行:  
在 PC 连接的控制器上运行实际程序的同时  
可在 TDS 中对项目进行试运行。(限时 2 小时)



### 持续更新的图像库

提供多种 16M 全彩图像,  
包括无论大小都保持清晰质量的矢量图,  
以及增强立体感的 3D 图像库。



### 数据分析优化

TDS 可高效搜索数据并以表格形式进行监控,  
并通过趋势图、记录图、条形图、仪表盘、  
饼图等多种图表实现直观的数据分析。

## JavaScript

### 提供 JavaScript 编程支持

利用互联网最广泛使用的 JavaScript,  
可在 TDS 中高效扩展项目。  
从简单命令到条件语句、循环、函数等多种编程语法,  
都可通过示例轻松实现。



### HMI 与 SCADA 项目互通

TDS 可同时实现 TOP (HMI) 与 TOP-VIEW (SCADA) 项目,  
并支持两者之间的转换。

# TOPR SERIES

Ex / Non-Ex Premium HMI

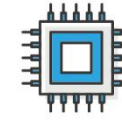
## INTERFACE \*Varies by Model.

- SERIAL 3 PORTS
- ETHERNET 2 CHANNEL
- USB HOST 2 PORTS
- USB OTG
- SD CARD
- OPTION MODULE
- HDMI
- CAMERA
- AUDIO OUT
- VIDEO IN



# TOPR

## FEATURES



### 四核 CPU

配备四核 CPU, 支持高速处理。



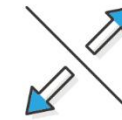
### 1600 万色全彩

亮丽清晰的全彩显示, 支持矢量与 3D 图像库。



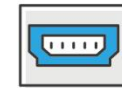
### 铝制机身

坚固耐用的铝制机身, 设计高端。



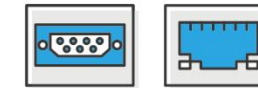
### 高效模块化机身

可将多种尺寸的显示单元与可选处理单元组合, 以满足不同需求规格。



### 前置 OTG USB 接口

支持在传输模式下方便地传输程序, 并可在 HOST 模式下连接 USB 设备 (存储器、条码扫描器、相机等)。



### 串口 3 个 / 以太网 2 通道

提供 COM1/COM2/COM3 串口, 并支持具有不同 IP 的异构网络。



### T6 温度等级防爆认证

获得防爆认证:  
KCs (韩国)、CCC (中国)、ATEX (欧洲)、  
Hazloc (北美)、IECEx (国际)。



### 多媒体功能 (TOPR20 型号)

配备前置摄像头、音频输出、视频输入及 HDMI 输出。

### TOPR20 SPECIFICATIONS

### DISPLAY UNIT

Functional	TOPRD1520X	TOPRD1220X	TOPRD1020S
Display	Display Type	15" TFT Color	12.1" TFT Color
	Color		16M Colors
	Display Area(mm)	304.1 x 228.1	246 x 184.5
	Resolution(dot)	1024 x 768	1024 x 768
	Brightness Level		10 Levels(by software)
	Backlight Type		LED
	Backlight Life		50,000 hours
Touch	Touch Type		Analog resistive film
	Resolution(Cell)	1024 x 768	800 x 600
	Touch Life		1 million times or more
Embedded Device	Front Camera		USB UVC Max. Resolution: 640 x 480
	Panel Cut(mm)	355 x 286	306 x 247
Structure	External Dimension(mm)	370 x 301 x 36.7	320 x 261 x 34.2
	Weight(kg)	3.58	2.44

### PROCESS UNIT

Functional	TOPRP20D		
Interface	Serial COM1	RS-232C, RS-422/485 Asynchronous +5Vdc PWR Data bit: 7/8 bits, Stop bit: 1/2 bits, Parity bit: None/Odd/Even Baud rate: 2400~115.2kbps Connector: DSUB 9pin x 1	
	Serial COM2	RS-232C, RS-422/485 Asynchronous Data bit: 7/8 bits, Stop bit: 1/2 bits, Parity bit: None/Odd/Even Baud rate: 2400~115.2kbps Connector: DSUB 9pin x 1	
	Serial COM3	RS-485 Asynchronous Data bit: 7/8 bits, Stop bit: 1/2 bits, Parity bit: None/Odd/Even Baud rate: 2400~115.2kbps Connector: 3.5mm 3pin x 1	
	Ethernet	IEEE802.3i/IEEE802.3u, 10BASE-T/100BASE-TX Connector: RJ-45 x 2	
	USB Host	USB 2.0 Compatible, Output 5Vdc/0.5A Support: USB Storage, USB Barcode Scanner(Standard Keyboard Protocol) Connector: USB Type A x 2	
	USB OTG	USB 2.0 Compatible, Output 5Vdc/0.5A, Max 3m Support: USB Storage, USB Barcode Scanner(Standard Keyboard Protocol) Connector: USB Micro-B(Front) x 1	
	SD Card	SD Card Slot x 1, SDHC(MAX 32GB)	
	Option Modules	CAM32	
	HDMI Output	HDMI v1.4a, HDMI Output, Max. Resolution: 1920x1080 at 60Hz Connector: HDMI x 1	
	Video Input	Decodes NTSC, PAL or SECAM composite video, S-Video Connector: RCA socket x 1	
Memory & Others	Audio Output	Stereo output Connector: 3.5mm Audio socket x 1	
	Printer	Roll Printer(EPSON protocol)	
	Screen memory	128MB	
	Backup memory	512KB: System buffer(10K Word), Including Alarm/Logging/Recipe	
	Backup Period	Permanent	
	Real Time Clock	Built in	
	Status LED	3 LEDs(Power, Operation, Link) Built in	
	Structure	External Dimension(mm)	201.6 x 147.6 x 37.3
		Weight(kg)	0.82

### TOPR10 SPECIFICATIONS

### DISPLAY UNIT

Functional	TOPRD1510X	TOPRD1210S	TOPRD1010S
Display	Display Type	15" TFT Color	12.1" TFT Color
	Color		16M Colors
	Display Area(mm)	304.1 x 228.1	246 x 184.5
	Resolution(dot)	1024 x 768	800 x 600
	Brightness Level		10 Levels(by software)
	Backlight Type		LED
	Backlight Life		50,000 hours
Touch	Touch Type		Analog resistive film
	Resolution(Cell)	1024 x 768	800 x 600
	Touch Life		1 million times or more
Structure	Panel Cut(mm)	355 x 286	306 x 247
	External Dimension(mm)	370 x 301 x 36.7	320 x 261 x 34.2
	Weight(kg)	3.58	2.44

### PROCESS UNIT

Functional	TOPRP10D	
Interface	Serial COM1	RS-232C, RS-422/485 Asynchronous +5Vdc PWR Data bit: 7/8 bits, Stop bit: 1/2 bits, Parity bit: None/Odd/Even Baud rate: 2400~115.2kbps Connector: DSUB 9pin x 1
	Serial COM2	RS-232C, RS-422/485 Asynchronous Data bit: 7/8 bits, Stop bit: 1/2 bits, Parity bit: None/Odd/Even Baud rate: 2400~115.2kbps Connector: DSUB 9pin x 1
	Serial COM3	RS-485 Asynchronous Data bit: 7/8 bits, Stop bit: 1/2 bits, Parity bit: None/Odd/Even Baud rate: 2400~115.2kbps Connector: 3.5mm 3pin x 1
	Ethernet	IEEE802.3i/IEEE802.3u, 10BASE-T/100BASE-TX Connector: RJ-45 x 2
	USB Host	USB 2.0 Compatible, Output 5Vdc/0.5A Support: USB Storage, USB Barcode Scanner(Standard Keyboard Protocol) Connector: USB Type A x 2
	USB OTG	USB 2.0 Compatible, Output 5Vdc/0.5A, Max 3m Support: USB Storage, USB Barcode Scanner(Standard Keyboard Protocol) Connector: USB Micro-B(Front) x 1
	SD Card	SD Card Slot x 1, SDHC(MAX 32GB)
	Option Modules	CAM32
	Printer	Roll Printer(EPSON protocol)
	Screen memory	128MB
Memory & Others	Backup memory	512KB: System buffer(10K Word), Including Alarm/Logging/Recipe
	Backup Period	Permanent
	Real Time Clock	Built in
Structure	Status LED	3 LEDs(Power, Operation, Link) Built in
	External Dimension(mm)	201.6 x 147.6 x 37.3
	Weight(kg)	0.82

### COMBINED DISPLAY + PROCESS UNET SPECIFICATIONS (Common)

Functional	15"	12"	10"	
Power	Input Voltage	24Vdc(20~28Vdc)	15W	
	Power Consumption	18W	15W	
	Voltage Sag		24Vdc, Within 10ms	
	Insulation Resistance		500Vdc, 10MΩ	
	Operation Temperature(°C)		-10 ~ +50	
	Storage Temperature(°C)		-20 ~ +60	
	Operation Humidity(%RH)		0 ~ 90(No Dew)	
Environment	Atmosphere		No corrosive gas	
	Vibration Endurance		Amplitude: 10sF < 25Hz(2G) X,Y,Z each direction(for 30 minutes)	
	Noise Immunity		1000Vp-p(Pulse width 1μs)	
	Static Electricity Discharge		Connective discharge from EN61000-4-2: ±4kV	
	Shock Endurance		10G X,Y,Z each direction(for 3 times)	
	Ground Connection		Class 3(100Ω or less)	
	Protection Classification		IP65(Front)	
	Certification		KC, CE, UL/cUL	
	Structure	Weight(kg)	4.4	3.26
		Cooling System		Natural air circulation
	Case Material		AL(Aluminum)	

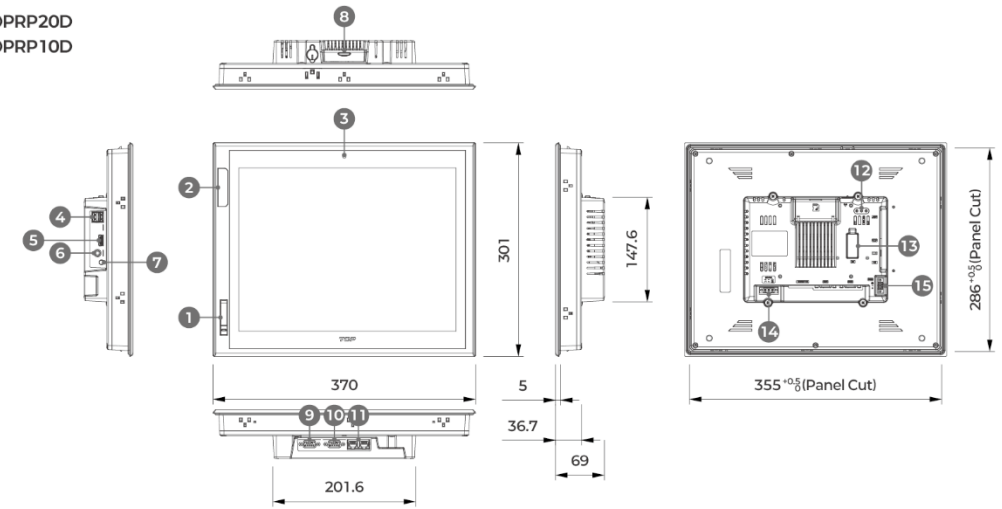
# TOPR Ex SPECIFICATIONS

# Ex Model

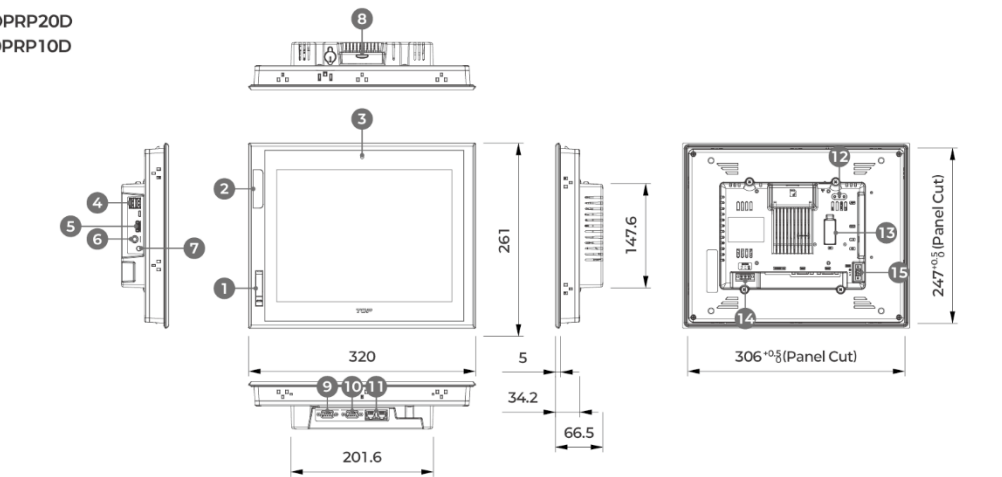
Functional	TOPRT1210SD-Ex	
Display	Display Type	12.1" TFT Color
	Color	16M Colors
	Display Area(mm)	246x184.5
	Resolution(dot)	1024x768
	Brightness Level	10 Levels(by software)
	Backlight Type	LED
	Backlight Life	50,000 hours
Touch	Touch Type	Analog resistive film
	Resolution(Cell)	1024x768
	Touch Life	1 million times or more
Embedded Device	Front Camera	USB UVC Max. resolution: 640x480, 4 Adjustable angles: Up 20°, 10°, 0°, Down 10°
	Serial COM1	RS-232C, RS-422/485 Asynchronous +5Vdc PWR Data bit: 7/8 bits, Stop bit: 1/2 bits, Parity bit: None/Odd/Even Baud rate: 2400~115.2kbps Connector: DSUB 9pin x 1
Interface	Serial COM2	RS-232C, RS-422/485 Asynchronous Data bit: 7/8 bits, Stop bit: 1/2 bits, Parity bit: None/Odd/Even Baud rate: 2400~115.2kbps Connector: DSUB 9pin x 1
	Serial COM3	RS-485 Asynchronous Data bit: 7/8 bits, Stop bit: 1/2 bits, Parity bit: None/Odd/Even Baud rate: 2400~115.2kbps Connection: 3.5mm 3pin x 1
Memory & Others	Ethernet	IEEE802.3/IEEE802.3u, 10BASE-T/100BASE-TX Connector: RJ-45 x 2
	USB Host	USB 2.0 Compatible, Output 5Vdc/0.5A Support: USB Storage, USB Barcode Scanner(Standard Keyboard Protocol) Connector: USB Type A x 2
	USB OTG	USB 2.0 Compatible, Output 5Vdc/0.5A, Max 3m Support: USB Storage, USB Barcode Scanner(Standard Keyboard Protocol) Connector: USB Micro-B(Front) x 1
	SD Card	SD Card Slot x 1, SDHC(Max. 32GB)
	Option Modules	CAM32
	Printer	Roll Printer(EPSON protocol)
	Screen Memory	128MB
Power	Backup Memory	512KB: System Buffer(10K Word), Including Alarm/Logging/Recipe
	Backup Period	Permanent
	Real Time Clock	Built in
Environment	Status LED	3 LEDs(Power, Operation, Link) Built in
	Input Voltage	24Vdc(20~28Vdc)
	Power Consumption	15W
	Voltage Sag	24Vdc, Within 10ms
	Insulation Resistance	500Vdc, 10MΩ
	Operation Temperature(°C)	-10 ~ +50
	Storage Temperature(°C)	-20 ~ +60
	Operation Humidity(%RH)	0 ~ 90(No Dew)
	Atmosphere	No corrosive gas
	Vibration Endurance	Amplitude: 10≤F<25Hz(2G) X,Y,Z each direction(for 30 minutes)
Structure	Noise Immunity	1000Vp-p(Pulse width 1μs)
	Static Electricity Discharge	Connective discharge from EN61000-4-2: ±4kV
Structure	Shock Endurance	10G X,Y,Z each direction(for 3 times)
	Ground Connection	Class 3(100Ω or less)
	Protection Classification	IP65(Front) for KC, CE, UL/cUL in Hazloc, IP54(Front) for CCC, IP4X(Front) for KCs
	Certification	KC, CE, UL/cUL in Hazloc, KCs, CCC, IECEx, ATEX
	Panel Cut(mm)	306x247
	External Dimension(mm)	320x261x34.2
	Weight(kg)	3.26
	Cooling System	Natural air circulation
	Case Material	AL(Aluminum)

# DRAWING

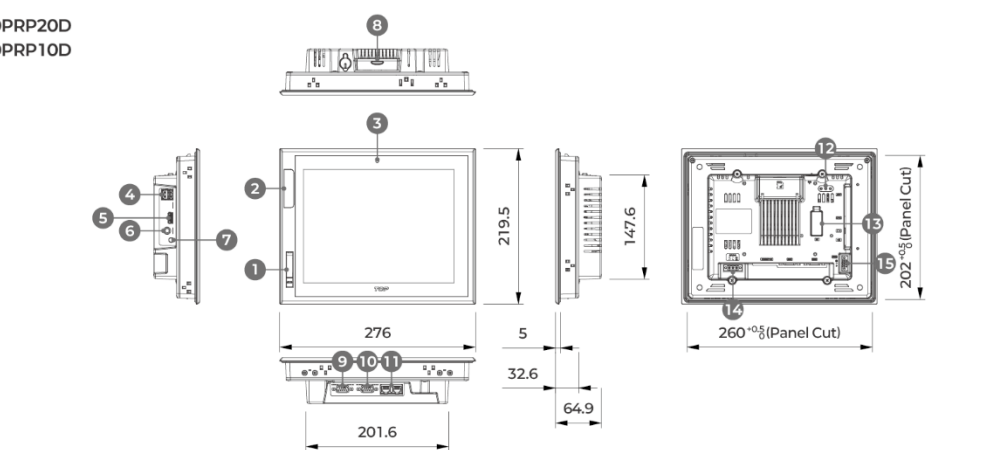
TOPRD1520X + TOPRP20D  
TOPRD1510X + TOPRP10D



TOPRD1220X + TOPRP20D  
TOPRD1210S + TOPRP10D  
TOPRT1210SD-Ex



TOPRD1020S + TOPRP20D  
TOPRD1010S + TOPRP10D



- 1 USB OTG(Micro 5Pin B-Type)
- 2 Power LED
- 3 Camera
- 4 USB Host 2P
- 5 HDMI Output
- 6 Video Input
- 7 Audio Output
- 8 SD Card Slot
- 9 Serial COM2
- 10 Serial COM1
- 11 Ethernet 2Ch
- 12 Status LED
- 13 Expansion Module Connector
- 14 Power Input
- 15 Serial COM3

# TOPRX SERIES

Ex / Non-Ex Standard HMI

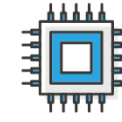
## INTERFACE \*Varies by Model.

- SERIAL 3(2) PORTS
- ETHERNET 2(1) CHANNEL
- USB HOST
- USB OTG
- SD CARD(OPTION)



# TOPRX

## FEATURES



### 四核 CPU

配备四核 CPU, 支持高速处理。



### 1600 万色全彩

亮丽清晰的全彩显示, 支持矢量与 3D 图像库。



### 时尚一体化机身设计

高级一体化机身, 兼具高端质感与轻便使用性。



### 与XTOP系列兼容

提供与停产XTOP产品相同的面板开孔  
可轻松替换现有XTOP产品。



### 前置 OTG USB 接口

支持在传输模式下方便地传输程序,  
并可在 HOST 模式下连接 USB 设备  
(存储器、条码扫描器、相机等)。



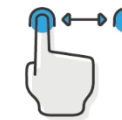
### 串口3个 / 以太网2通道

提供COM1/COM2/COM3串口  
支持不同IP的异构网络(10英寸及以上型号)。



### T6 温度等级防爆认证

获得防爆认证:  
KCs (韩国)、CCC (中国)、ATEX (欧洲)、  
Hazloc (北美)、IECEx (国际)。



### 触控拖拽功能

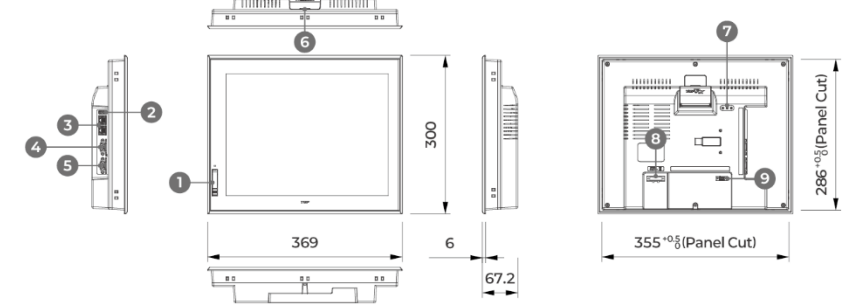
可在屏幕上绘制图形以留备忘,  
或交互式下拉顶部菜单。

# TOPRX SPECIFICATIONS

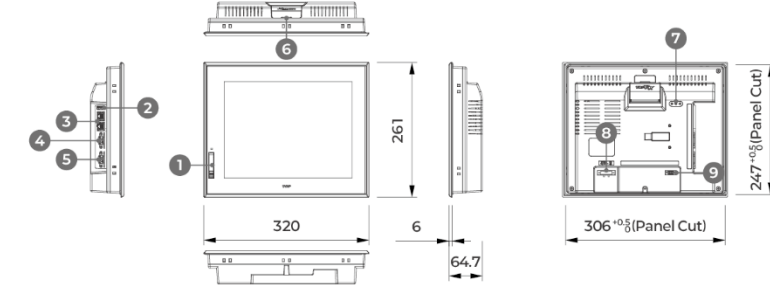
Non Ex Model	TOPRX 1500XD	TOPRX 1200XD	TOPRX 1200SD	TOPRX 1000SD	TOPRX 1000VD	TOPRX 0800SD	TOPRX 0500VD
	TOPRX 1500XD-Ex	TOPRX 1200XD-Ex	TOPRX 1200SD-Ex	TOPRX 1000SD-Ex	TOPRX 1000VD-Ex	TOPRX 0801SD	TOPRX 0501VD
Display	Display Type	15" TFT Color	12.1" TFT Color	10.4" TFT Color		8.4" TFT Color	5.6" TFT Color
	Color	16M Colors					
	Display Area(mm)	304.1 x 228.1	246 x 184.5	211.2 x 158.4		170.4 x 127.8	112.9 x 84.7
	Resolution(dot)	1024 x 768	800 x 600	640 x 480	800 x 600	640 x 480	
	Brightness Level	10 Levels(by software)					
	Backlight Type	LED					
Touch	Backlight Life	50,000 hours					
	Touch Type	Analog resistive film					
	Resolution(cell)	1024 x 768	800 x 600	640 x 480	800 x 600	640 x 480	
	Touch Life	1 million times or more					
	Serial COM1	RS-232C, RS-422/485 Asynchronous +5Vdc PWR Data bit: 7/8 bits, Stop bit: 1/2 bits, Parity bit: None/Odd/Even Baud rate: 2400~115.2kbps Connector: DSUB 9pin x 1					
Serial COM2	RS-232C, RS-422/485 Asynchronous Data bit: 7/8 bits, Stop bit: 1/2 bits, Parity bit: None/Odd/Even Baud rate: 2400~115.2kbps Connector: DSUB 9pin x 1						
Serial COM3	RS-485 Asynchronous Data bit: 7/8 bits, Stop bit: 1/2 bits, Parity bit: None/Odd/Even Baud rate: 2400~115.2kbps Connector: 3.5mm 3pin x 1			Not available			
Interface	Ethernet	IEEE802.3i/IEEE802.3u, 10BASE-T/100BASE-TX Connector: RJ-45 x 2			IEEE802.3i/IEEE802.3u, 10BASE-T/100BASE-TX Connector: RJ-45 x 1		
	USB Host	USB 2.0 Compatible, Output 5Vdc/0.5A Support: USB Storage, USB Barcode Scanner(Standard Keyboard Protocol) Connector: USB Type A x 1					
	USB OTG	USB 2.0 Compatible, Output 5Vdc/0.5A, Max 3m Support: USB Storage, USB Barcode Scanner(Standard Keyboard Protocol) Connector: USB Mini-B(Front) x 1					
	SD Card	SD Card Slot x 1, SDHC(MAX 32GB) TOPRX0801SD, TOPRX0501VD: SD Card not supported					
	Printer	Roll Printer(EPSON protocol)					
Memory & Others	Screen Memory	128MB					
	Backup Memory	512KB: System buffer(10K Word), Including Alarm/Logging/Recipe					
	Backup Period	Permanent					
	Real Time Clock	Built in					
Power	Status LED	3 LEDs(Power, Operation, Link) Built in					
	Input Voltage	24Vdc(20~28Vdc)					
	Power Consumption	18W	15W	15W, Ex model: 12W		12W	
	Voltage Sag	24Vdc, Within 10ms					
	Insulation Resistance	500Vdc, 10MΩ					
	Operation Temperature(°C)	-10 ~ +50					
	Storage Temperature(°C)	-20 ~ +60					
	Operation Humidity(%RH)	0 ~ 90(No dew)					
	Atmosphere	No corrosive gas					
	Vibration Endurance	Amplitude: 10sF<25Hz(2G) X,Y,Z each direction(for 30 minutes)					
Environment	Noise Immunity	1000Vp-p(Pulse width 1μs)					
	Static Electricity Discharge	Connective discharge from EN61000-4-2: ±4kV					
	Shock Endurance	10G X,Y,Z each direction(for 3 times)					
	Ground Connection	Class 3(100Ω under)					
	Protection Classification	General model: IP65(Front) Explosion proof model: IP54(Front) for CCC, IP4X(Front) for KCs					
Structure	Certification	General model: KC, CE, UL/cUL Explosion proof model: KC, CE, UL/cUL in Hazloc, KCs, CCC, IECEx, ATEX					
	Panel Cut(mm)	355 x 286	306 x 247	260 x 202	222 x 168	158 x 126	
	External Dimension(mm)	369 x 300 x 67.2	320 x 261 x 64.7	274 x 216 x 64.7	236 x 182 x 58.9	172 x 140 x 58	
	Weight(kg)	2.78	2.18	1.68	1.06	0.62	
	Cooling System	Natural air circulation					
Case Material	PC(Resistance to flame)						

# DRAWING

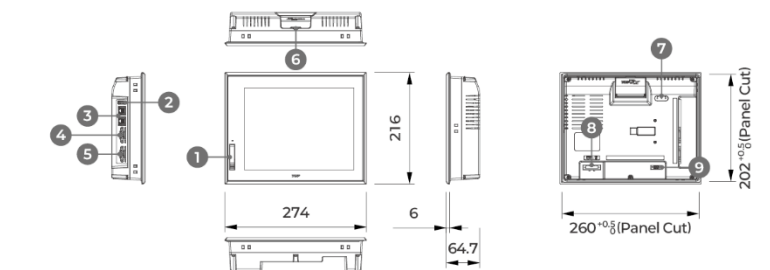
TOPRX1500XD  
TOPRX1500XD-Ex



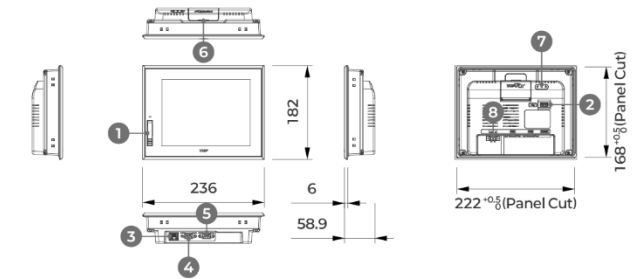
TOPRX1200XD  
TOPRX1200SD  
TOPRX1200XD-Ex  
TOPRX1200SD-Ex



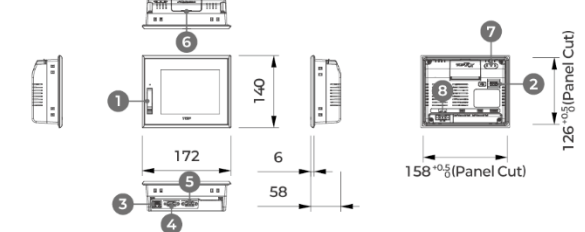
TOPRX1000SD  
TOPRX1000VD  
TOPRX1000SD-Ex  
TOPRX1000VD-Ex



TOPRX0800SD  
TOPRX0801SD



TOPRX0500VD  
TOPRX0501VD



- 1 USB OTG(Mini 5Pin B-Type)
- 2 USB Host 1P
- 3 Ethernet
- 4 Serial COM2
- 5 Serial COM1
- 6 SD Card Slot(Optional)
- 7 Status LED
- 8 Power Input
- 9 Serial COM3

# TOPRW SERIES

Wide HMI

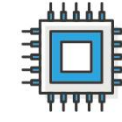
**INTERFACE** \*Varies by Model.

■ SERIAL 2 PORTS ■ ETHERNET 1 CHANNEL ■ USB HOST ■ USB OTG ■ SD CARD(OPTION)



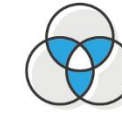
# TOPRW

## FEATURES



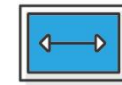
### 四核 CPU

配备四核 CPU, 支持高速处理。



### 1600 万色全彩

亮丽清晰的全彩显示, 支持矢量与 3D 图像库。



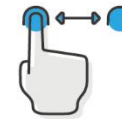
### 支持1024 x 600, 800 x 480分辨率

10", 7", 5"宽屏比例可扩展工作区域。



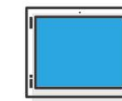
### 与XTOP WIDE系列兼容

与XTOP WIDE产品(10", 7")面板开孔兼容  
可轻松替换现有XTOP WIDE产品。



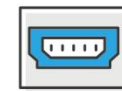
### 触控拖拽功能

可在屏幕上绘制图形以备备忘,  
或交互式下拉顶部菜单。



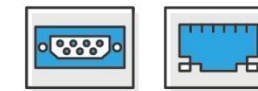
### 时尚一体化机身设计

高级一体化机身, 兼具高端质感与轻便使用性。



### OTG USB 接口

支持在传输模式下方便地传输程序,  
并可在 HOST 模式下连接 USB 设备  
(存储器、条码扫描器、相机等)。



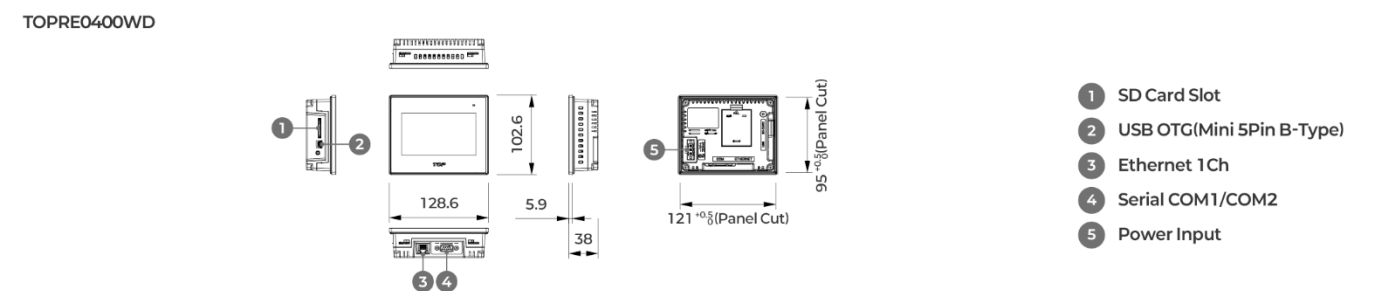
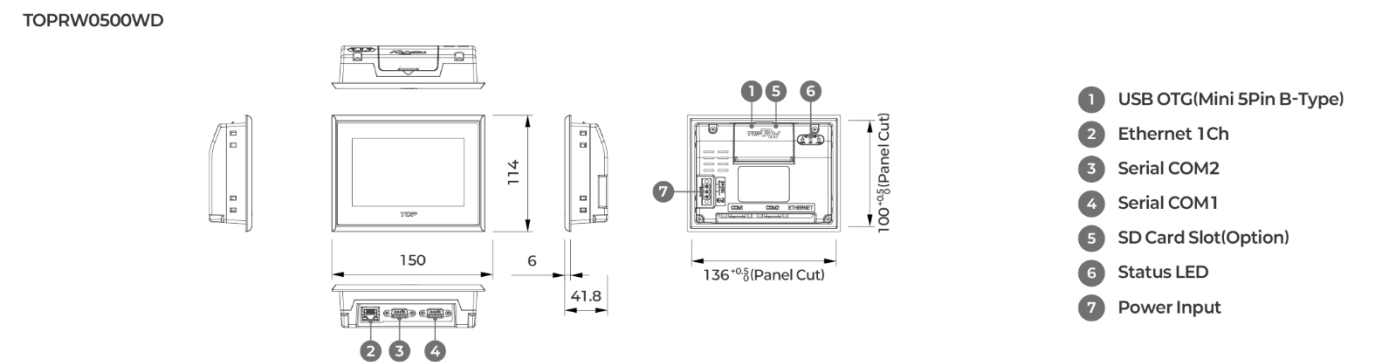
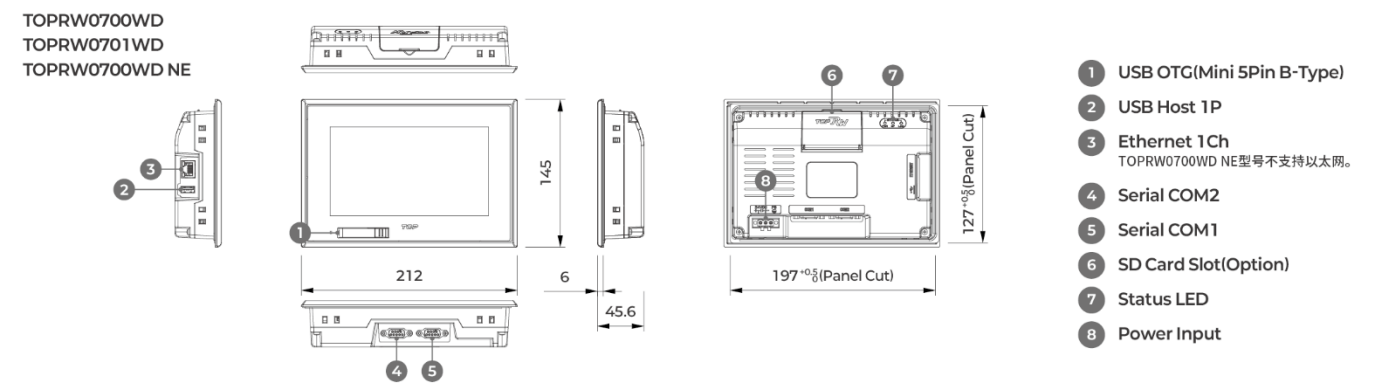
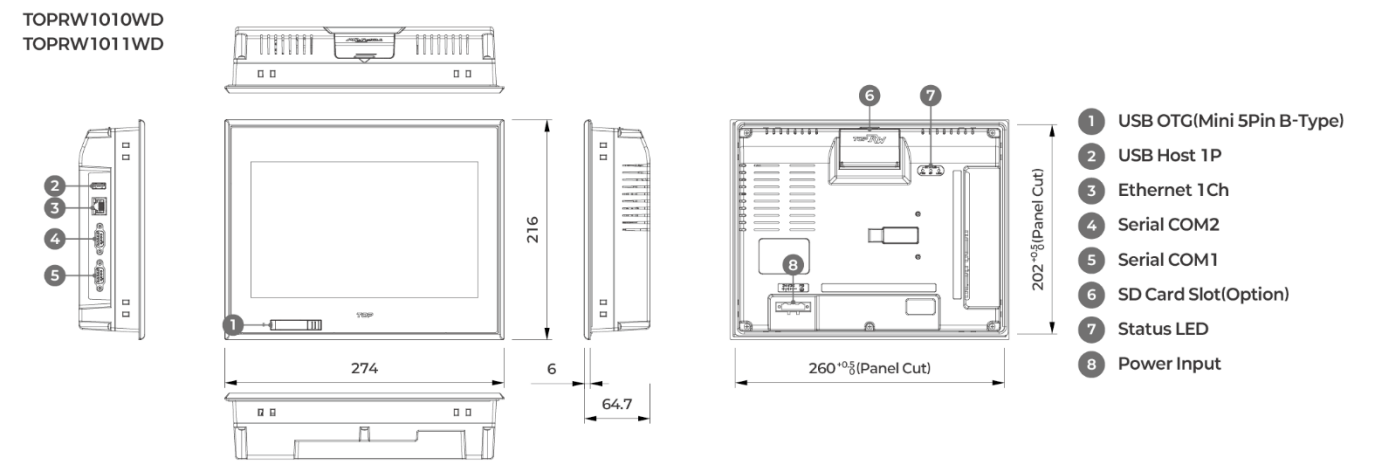
### 串口2个 / 以太网2通道

提供COM1/COM2串口  
支持不同IP的异构网络(10英寸及以上型号)。

# TOPRW SPECIFICATIONS

Functional	TOPRW1010WD TOPRW1011WD	TOPRW0700WD TOPRW0701WD	TOPRW0700WD NE	TOPRW0500WD	TOPRE0400WD
Display Type	10.1" TFT Color	7" TFT Color		5" TFT Color	4.3" TFT Color
Color	16M Colors				
Display Area(mm)	222.72 x 125.28	154 x 86		108 x 64.8	95.04 x 53.85
Resolution(dot)	1024 x 600			800 x 480	480 x 272
Brightness Level	10 Levels(by software)				
Backlight Type	LED				
Backlight Life	50,000 hours				
Touch Type	Analog resistive film				
Resolution(Cell)	1024 x 600			800 x 480	480 x 272
Touch Life	1 million times or more				
Serial COM1 (TOPRE: RS-232C Only)	RS-232C Asynchronous +5Vdc PWR Data bit: 7/8 bits, Stop bit: 1/2 bits, Parity bit: None/Odd/Even Baud rate: 2400~115.2kbps Connector: DSUB 9pin x 1			RS-232C, RS-422/485 Asynchronous Data bit: 7/8 bits, Stop bit: 1/2 bits, Parity bit: None/Odd/Even Baud rate: 2400~115.2kbps Connector: DSUB 9pin x 1	
Serial COM2 (TOPRE: RS-422/485 Only)	RS-232C, RS-422/485 Asynchronous Data bit: 7/8 bits, Stop bit: 1/2 bits, Parity bit: None/Odd/Even Baud rate: 2400~115.2kbps Connector: DSUB 9pin x 1			RS-232C, RS-422/485 Asynchronous Data bit: 7/8 bits, Stop bit: 1/2 bits, Parity bit: None/Odd/Even Baud rate: 2400~115.2kbps Connector: DSUB 9pin x 1	
Ethernet	IEEE802.3i/IEEE802.3u, 10BASE-T/100BASE-TX Connector: RJ-45 x 1		Not available	IEEE802.3i/IEEE802.3u, 10BASE-T/100BASE-TX Connector: RJ-45 x 1	
USB Host	USB 2.0 Compatible, Output 5Vdc/0.5A Support: USB Storage, USB Barcode Scanner(Standard Keyboard Protocol) Connector: USB Type A x 1			Not available	
USB OTG	USB 2.0 Compatible, Output 5Vdc/0.5A, Max 3m Support: USB Storage, USB Barcode Scanner(Standard Keyboard Protocol) Connector: USB Mini-B(Front) x 1			USB 2.0 Compatible, Output 5Vdc/0.5A, Max 3m Support: USB Storage, USB Barcode Scanner (Standard Keyboard Protocol) Connector: USB Mini-B(Side) x 1	
SD Card	SD Card Slot x 1, SDHC(MAX 32GB) TOPRW1011WD, TOPRW0701WD: SD Card not supported				
Printer	Roll Printer(EPSON protocol)				
Screen Memory	128MB			64MB	
Backup Memory	512KB: System buffer(10K Word), Including Alarm/Logging/Recipe				
Backup Period	Permanent				
Real Time Clock	Built in				
Status LED	3 LEDs(Power, Operation, Link) Built in				
Input Voltage	24Vdc(20~28Vdc)				
Power Consumption	15W			12W	
Voltage Sag	24Vdc, Within 10ms				
Insulation Resistance	500Vdc, 10MΩ				
Operation Temperature(°C)	-10 ~ +50				
Storage Temperature(°C)	-20 ~ +60				
Operation Humidity(%RH)	0 ~ 90(No dew)				
Atmosphere	No corrosive gas				
Vibration Endurance	Amplitude: 10±F<25Hz(2G) X,Y,Z each direction(for 30 minutes)				
Noise Immunity	1000Vp-p(Pulse width 1μs)				
Static Electricity Discharge	Connective discharge from EN61000-4-2: ±4kV				
Shock Endurance	10G X,Y,Z each direction(for 3 times)				
Ground Connection	Class 3(100Ω under)				
Protection Classification	IP65(Front)				
Certification	KC, CE, UL/cUL				
Panel Cut(mm)	260 x 202	197 x 127		136 x 100	121 x 95
External Dimension(mm)	274 x 216 x 64.7	212 x 145 x 45.6		150 x 114 x 41.8	128.6 x 102.6 x 38
Weight(kg)	1.7	0.72		0.4	0.28
Cooling System	Natural air circulation				
Case Material	PC(Resistance to flame)				

# DRAWING



# TOPRH SERIES

Handy Type Wired HMI

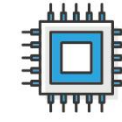
## INTERFACE

■ SERIAL 2 PORTS ■ ETHERNET 1 CHANNEL ■ USB HOST 2 PORTS ■ USB OTG ■ SD CARD



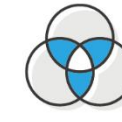
# TOPRH

## FEATURES



### 四核 CPU

配备四核 CPU, 支持高速处理。



### 1600 万色全彩

亮丽清晰的全彩显示, 支持矢量与 3D 图像库。



### 外观精美且符合人体工程学设计

手持操作时提供稳定舒适的握感。



### 提供KEY锁、紧急开关、三档开关

通过钥匙锁、紧急按钮及三档开关确保安全。



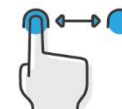
### 提供功能键与触控笔

配备包括LED在内的6个功能键及触控笔, 使用便捷。



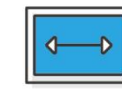
### 配备防震护套

在坚固机身四周安装硅胶防震护套, 提高使用安全性。



### 触控拖拽功能

可在屏幕上绘制图形以留备忘, 或交互式下拉顶部菜单。



### 支持1024 x 600高分辨率

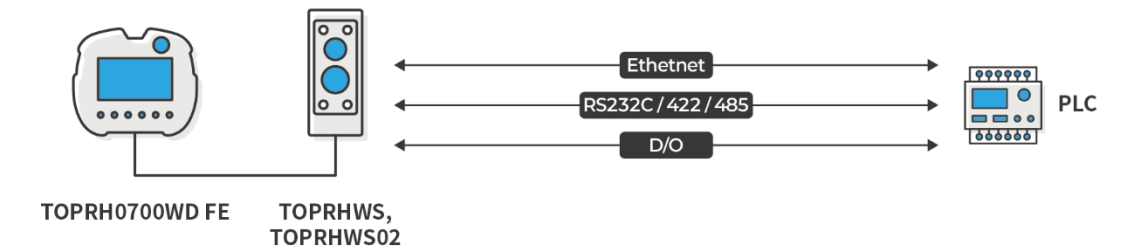
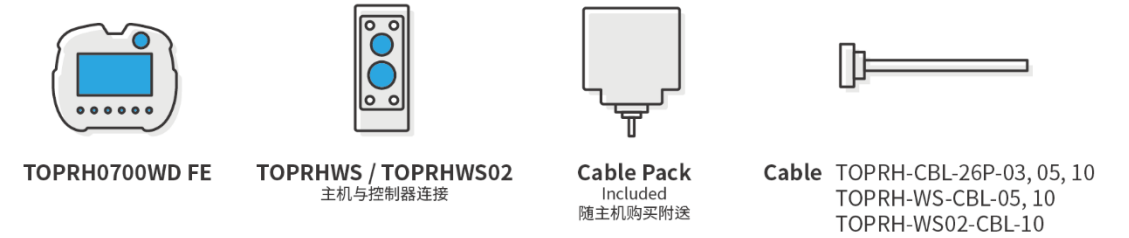
宽屏比例可扩展工作区域。

## TOPRH WIRED / TOPRHWS SPECIFICATIONS

Functional	TOPRH0700WD FE	
Display	Display Type	7" TFT Color
	Color	16M Colors
	Display Area(mm)	154.21 x 85.92
	Resolution(dot)	1024 x 600
	Brightness Level	10 Levels(by software)
Touch	Backlight Type	LED
	Backlight Life	50,000 hours
	Touch Type	Analog resistive film
	Resolution(Cell)	1024 x 600
	Touch Life	1 million times or more
Interface	Serial COM1	RS-232C, RS-422/485 Asynchronous Data bit: 7/8 bits, Stop bit: 1/2 bits, Parity bit: None/Odd/Even, Baud rate: 2400~115.2kbps
	Ethernet	IEEE802.3/IEEE802.3u, 10BASE-T/100BASE-TX
Memory & Others	USB Host	USB 2.0 Compatible, Output 5Vdc/0.5A Support: USB Storage, USB Barcode Scanner(Standard Keyboard Protocol) Connector: USB Type A x 2
	USB OTG	USB 2.0 Compatible, Output 5Vdc/0.5A, Max 3m Support: USB Storage, USB Barcode Scanner(Standard Keyboard Protocol) Connector: USB Mini-B x 1
	SD Card	SD Card Slot x 1, SDHC(MAX 32GB)
	Function Key	6Position with LED
	Printer	Roll Printer(EPSON protocol)
	Machanical Switchs	Emergency Switch 1A-2B, Keylock Switch 1A, 3Position enable Switch OFF-ON-OFF(2CH)
	Power Switch	Push-Lock power on-off switch built in
	Screen Memory	128MB
	Backup Memory	512KB: System buffer(10K Word), Including Alarm/Logging/Recipe
	Backup Period	Permanent
Power	Real Time Clock	Built in
	Status LED	3 LEDs(Power, Operation, Link) Built in
	Consumption	20W
	Voltage Sag	24Vdc, Within 10ms
	Insulation Resistance	500Vdc, 10MΩ
	Operation Temperature(°C)	-10 ~ +45
	Storage Temperature(°C)	-20 ~ +60
	Operation Humidity(%RH)	0 ~ 90(No dew)
	Atmosphere	No corrosive gas
	Vibration Endurance	Amplitude: 10sF < 25Hz(2G) X,Y,Z each direction(for 30 minutes)
Environment	Noise Immunity	1000Vp-p(Pulse width 1μs)
	Static Electricity Discharge	Connective discharge from EN61000-4-2: ±4kV
	Shock Endurance	10G X,Y,Z each direction(for 3 times)
	Ground Connection	Class 3(100Ω under)
	Protection Classification	IP4X
	Certification	KC, CE, UL/cUL
	External Dimension(mm)	237 x 205 x 103
	Weight(kg)	1.1(Except Cable Pack)
	Cooling System	Natural air circulation
	Case Material	PC(Resistance to flame)

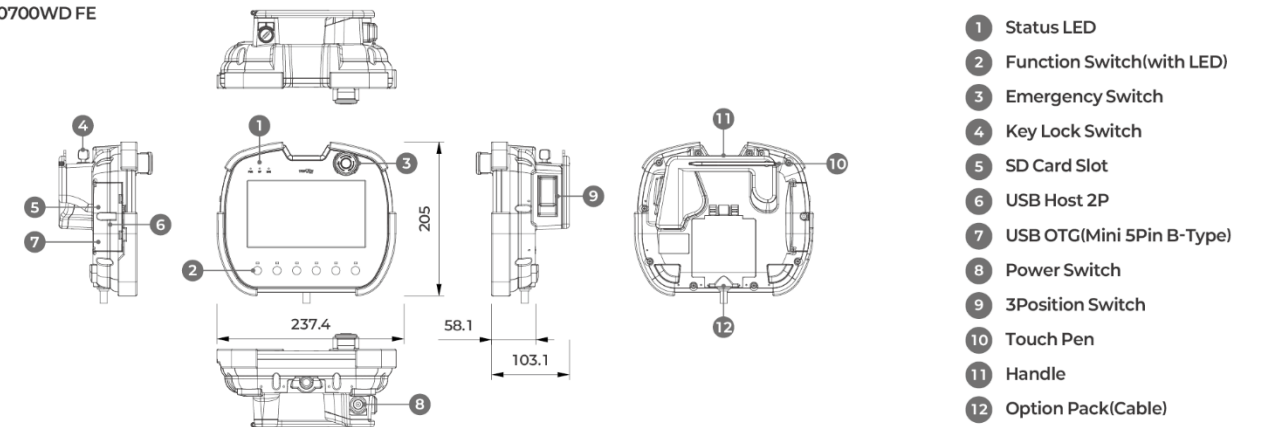
Functional	TOPRHWS	TOPRHWS02	
Interface	Serial COM1	RS-232C, RS-422/485 Asynchronous Data bit: 7/8 bits, Stop bit: 1/2 bits, Parity bit: None/Odd/Even Baud rate: 2400~115.2kbps, Connector: DSUB 9pin x 1	
	Ethernet	IEEE802.3/IEEE802.3u, 10BASE-T/100BASE-TX, Connector: RJ-45 x 1	
Power	Power Switch	Push-Push power on-off switch built in	
	26P Connector	To TOPRH, SRC6A21-26P	To TOPRH, 1981919-1 or 1981921-1
	Function Connector	Emergency Switch 1A-2B, Keylock Switch 1A, 3Position enable Switch OFF-ON-OFF(2CH), DOUT(6CH)	
	Input Voltage	24Vdc(20~28Vdc)	
	Power Consumption	20W	
	Voltage Sag	24Vdc, Within 10ms	
	Insulation Resistance	500Vdc, 10MΩ	
	Operation Temperature(°C)	-10 ~ +50	
	Storage Temperature(°C)	-20 ~ +60	
	Operation Humidity(%RH)	0 ~ 90(No dew)	
Environment	Atmosphere	No corrosive gas	
	Vibration Endurance	Amplitude: 10sF < 25Hz(2G) X,Y,Z each direction(for 30 minutes)	
	Noise Immunity	1000Vp-p(Pulse width 1μs)	
	Static Electricity Discharge	Connective discharge from EN61000-4-2: ±4kV	
	Shock Endurance	10G X,Y,Z each direction(for 3 times)	
	Ground Connection	Class 3(100Ω under)	
	Certification	KC, CE, UL/cUL	
	External Dimension(mm)	145 x 119 x 54	148 x 119 x 54
	Weight(kg)	0.3	
	Cooling System	Natural air circulation	
Case Material	PC(Resistance to flame)		

## PACKAGE CONTENTS

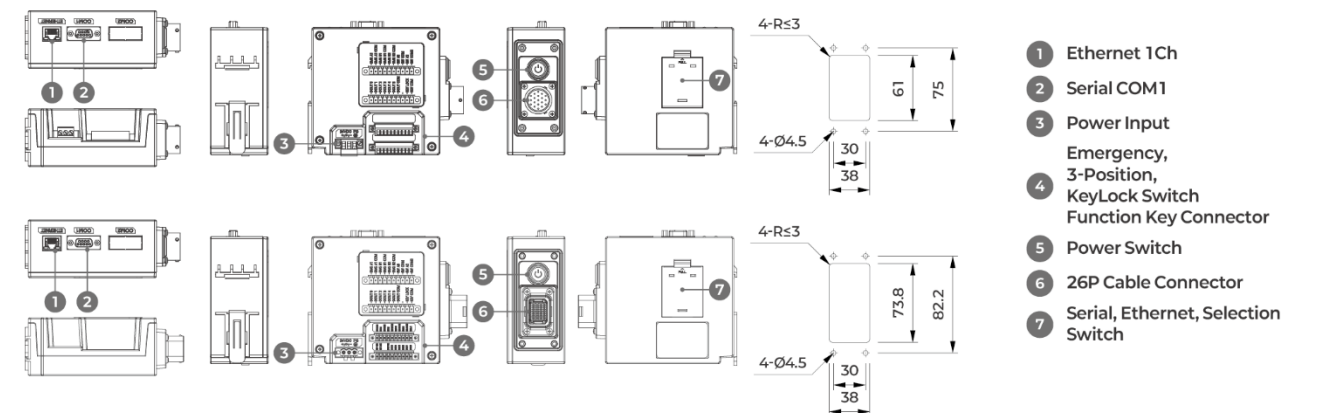


## DRAWING

TOPRH0700WD FE



TOPRHWS / TOPRHWS02



# TOPRH SERIES

Handy Type Wireless HMI

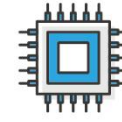
## INTERFACE

■ Wi-Fi ■ USB HOST 2 PORTS ■ USB OTG ■ SD CARD



# TOPRH

## FEATURES



### 四核 CPU

配备四核 CPU, 支持高速处理。



### 1600 万色全彩

亮丽清晰的全彩显示, 支持矢量与 3D 图像库。



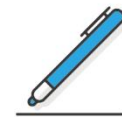
### 配备高性能无线芯片

在开阔空间中可无线操作, 最远可达150米。



### 外观精美且符合人体工程学设计

手持操作时提供稳定舒适的握感。



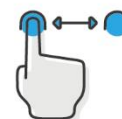
### 提供KEY锁、三档开关、功能键及触控笔

包括LED在内的6个功能键及触控笔, 操作便捷。



### 配备防震护套

在坚固机身四周安装硅胶防震护套, 提高使用安全性。



### 触控拖拽功能

可在屏幕上绘制图形以留备忘, 或交互式下拉顶部菜单。



### 支持1024 x 600高分辨率

宽屏比例可扩展工作区域。

## TOPRH WIRELESS / CRADLE SPECIFICATIONS

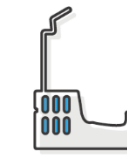
Functional	TOPRH0700WD-W	
Display	Display Type	7" TFT Color
	Color	16M Colors
	Display Area(mm)	154.21 x 85.92
	Resolution(dot)	1024 x 600
	Brightness Level	10 Levels(by software)
	Backlight Type	LED
Touch	Backlight Life	50,000 hours
	Touch Type	Analog resistive film
	Resolution(Cell)	1024 x 600
	Touch Life	1 million times or more
Wireless LAN	2.4G: 2.400GHz ~ 2.4835GHz 5G: 5.150GHz ~ 5.725GHz WLAN Standard: IEEE802.11 a/b/g/n Operation Range Up to 150meters in open space Security: WEP,TKIP,AES,WPA,WPA2	
Interface	USB Host	USB 2.0 Compatible, Output 5Vdc/0.5A Support: USB Storage, USB Barcode Scanner(Standard Keyboard Protocol) Connector: USB Type A x 2
	USB OTG	USB 2.0 Compatible, Output 5Vdc/0.5A, Max 3m Support: USB Storage, USB Barcode Scanner(Standard Keyboard Protocol) Connector: USB Mini-B x 1
Memory & Others	SD Card	SD Card Slot x 1, SDHC(MAX 32GB)
	Function Key	6Position with LED
	Machanical Switchs	Keylock Switch 1A, 3Position enable Switch OFF-ON-OFF(1CH)
	Power Switch	Push-Push power on-off switch built in
	Screen Memory	128MB
	Backup Memory	512KB: System buffer(10K Word), Including Alarm/Logging/Recipe
	Backup Period	Permanent
	Real Time Clock	Built in
	Status LED	3 LEDs(Power, Operation, Link) Built in
	Battery	Rechargeable & Extractable Battery Pack 2S-2P Li-ion 4Cells 7.2Vdc 6800mAh Charging time 3 hours(Non-operating) Running time: 7 hours with wireless communication
Power	Consumption	20W(In Battery Pack)
	Operation Temperature(°C)	-10 ~ +45
	Storage Temperature(°C)	-20 ~ +60
	Operation Humidity(%RH)	0 ~ 90(No dew)
Environment	Atmosphere	No corrosive gas
	Vibration Endurance	Amplitude: 10sF<25Hz(2G) X,Y,Z each direction(for 30 minutes)
	Static Electricity Discharge	Connective discharge from EN61000-4-2: ±4kV
	Shock Endurance	10G X,Y,Z each direction(for 3 times)
	Protection Classification	IP65
	Certification	KC, CE, UL/cUL
Structure	External Dimension(mm)	237 x 205 x 103
	Weight(kg)	1.32(Including Battery Pack)
	Cooling System	Natural air circulation
	Case Material	PC(Resistance to flame)

Functional	TOPRH-CRDL	
Power	Input Voltage	24Vdc(20~28Vdc)
	Output Voltage	8.4Vdc
	Power Consumption	60W(with Main Body + Extra Battery Pack)
	Voltage Sag	24Vdc, Within 10ms
	Insulation Resistance	500Vdc, 10MΩ
	Status LED	3 LEDs(Main Battery Pack, Power, Sub Battery Pack) Built in
Environment	Operation Temperature(°C)	-10 ~ +50
	Storage Temperature(°C)	-20 ~ +60
	Operation Humidity(%RH)	0 ~ 90(No dew)
	Atmosphere	No corrosive gas
	Vibration Endurance	Amplitude: 10sF < 25Hz(2G) X,Y,Z each direction(for 30 minutes)
	Noise Immunity	1000Vp-p(Pulse width 1μs)
Structure	Static Electricity Discharge	Connective discharge from EN61000-4-2: ±4kV
	Shock Endurance	10G X,Y,Z each direction(for 3 times)
	Ground Connection	Class 3(100Ω under)
	Certification	KC, CE
	External Dimension(mm)	214.5 x 125 x 154
	Weight(kg)	0.6
Cooling System	Natural air circulation	
Case Material	PC(Resistance to flame)	

## PACKAGE CONTENTS



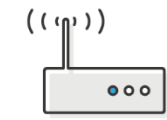
TOPRH0700WD-W



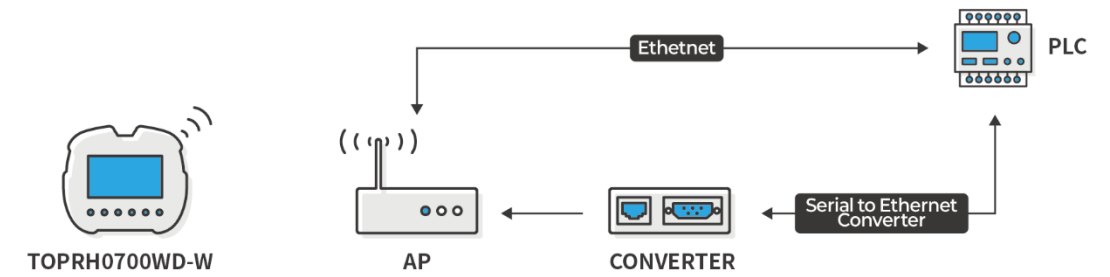
TOPRH-CRDL  
主机固定与电池充电



TOPRH-BAT  
随主机购买提供2台

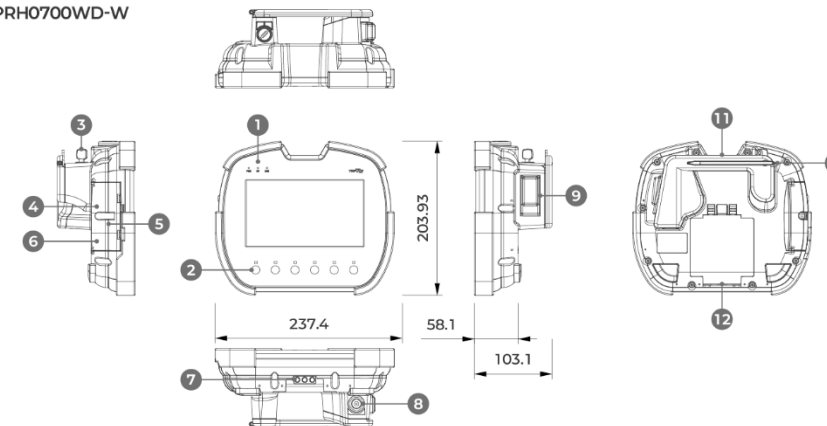


TOPRH 路由器选配



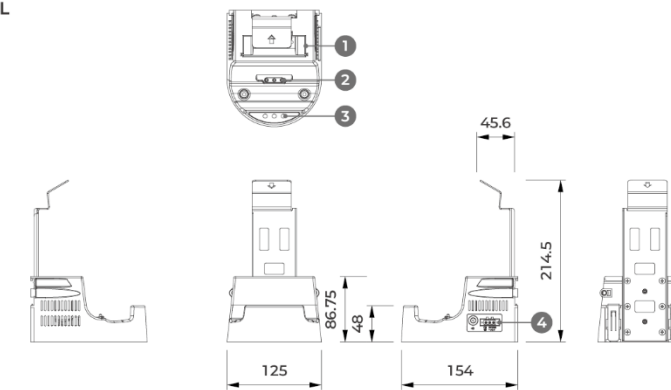
## DRAWING

TOPRH0700WD-W



- 1 Status LED
- 2 Function Switch(with LED)
- 3 Key Lock Switch
- 4 SD Card Slot
- 5 USB Host 2P
- 6 USB OTG(Mini 5Pin B-Type)
- 7 Charging Terminal
- 8 Power Switch
- 9 3Position Switch
- 10 Touch Pen
- 11 Handle
- 12 Option Pack(Battery Pack)

TOPRH-CRDL



- 1 Charging Auxiliary Battery
- 2 Charging Terminal
- 3 Status LED
- 4 Power Input

## 全球业务网络与服务



### 20多家的海外代理商

中国、日本、新加坡、印度、土耳其、越南、以色列  
 马来西亚、泰国、希腊、法国、伊朗、约旦、其他



### 40多家的韩国国内代理商

首尔、京畿道、大田、大邱、光州、蔚山、唱原、釜山

### MX On 官方 YouTube 频道

最快获取 MX On 的各类教育内容和有价值的最新资讯。



### KakaoTalk 技术咨询

即使在嘈杂的工业现场，也可通过实时照片和视频快速高效地解决技术问题。



### 现场检查服务 (B/S, 出差服务)

从老旧产品检查到新型替换咨询，一次性在贵公司现场直接体验。



### 对客户的承诺

与客户对话 - 以客户为先，共创价值。  
 持续成长 - 通过不断研发实现可靠性与生产力。  
 迎接新变革 - 基于 AX·DX 的智能工厂整体解决方案平台企业。